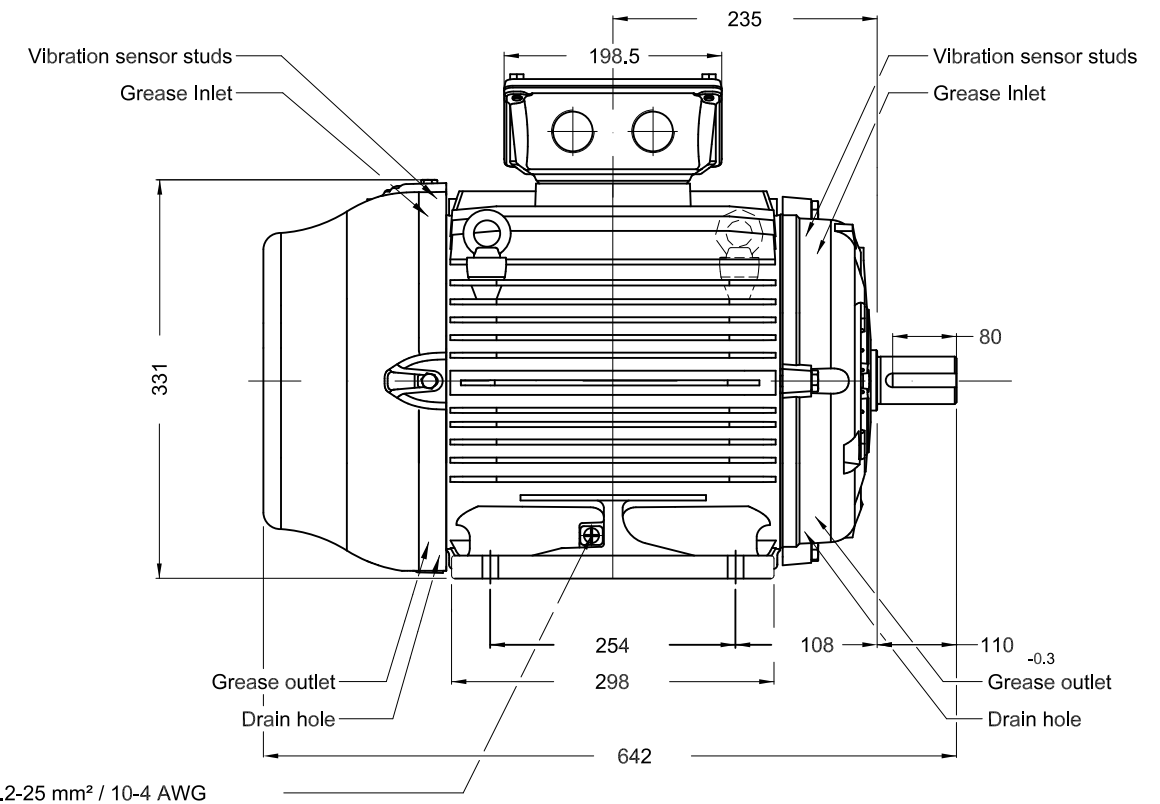
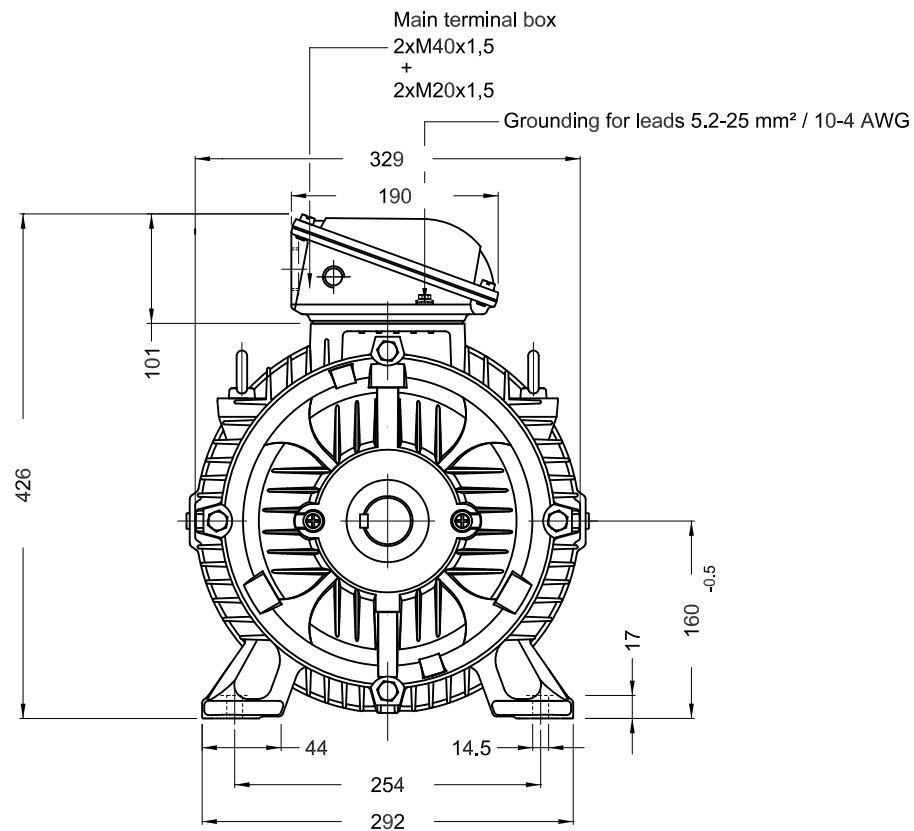


1 2 3 4 5 6

A



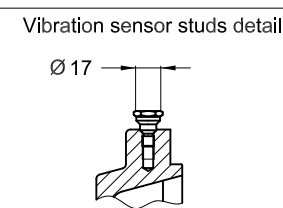
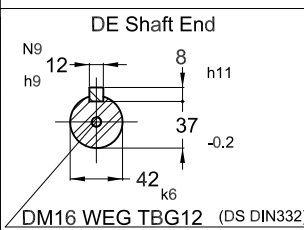
Grounding for leads 5.2-25 mm² / 10-4 AWG

D

15 kW 04 Poles 50 Hz A

QUANTUM CONTROLS

Space heaters 110-127 V / 200-240 V
With grease fitting
SPM studs
Color RAL 5009
Painting plan 202P
Mounting B3T



ECM	LOC	SUMMARY OF MODIFICATIONS				EXECUTED	CHECKED	RELEASED	DATE	VER
EXECUTED	PIRWBUSER	THREE PH. MOTOR W22 IE3 FRAME 160L IP55 TEFC	PREVIEW	WDD	WEG	Product Engineering	SHEET	1 / 1		
CHECKED										
RELEASED										
REL DT.	WMO	Jaragua do Sul								

Dimensions in mm

XME A3